



o.e.m. service bulletin

TO: PURCHASING INSTALLERS
ENGINEERING

No. 95-9

Bravo Transom Assemblies for the 1996-1/2 Model Year

Models

4.3LX / 4.3LXH / 5.7L / 5.7LX / 7.4L / 7.4LX / 262 Magnum EFI Gen +
350 Magnum MPI Gen + / 454 Magnum / 454 Magnum MPI / 502 Magnum MPI

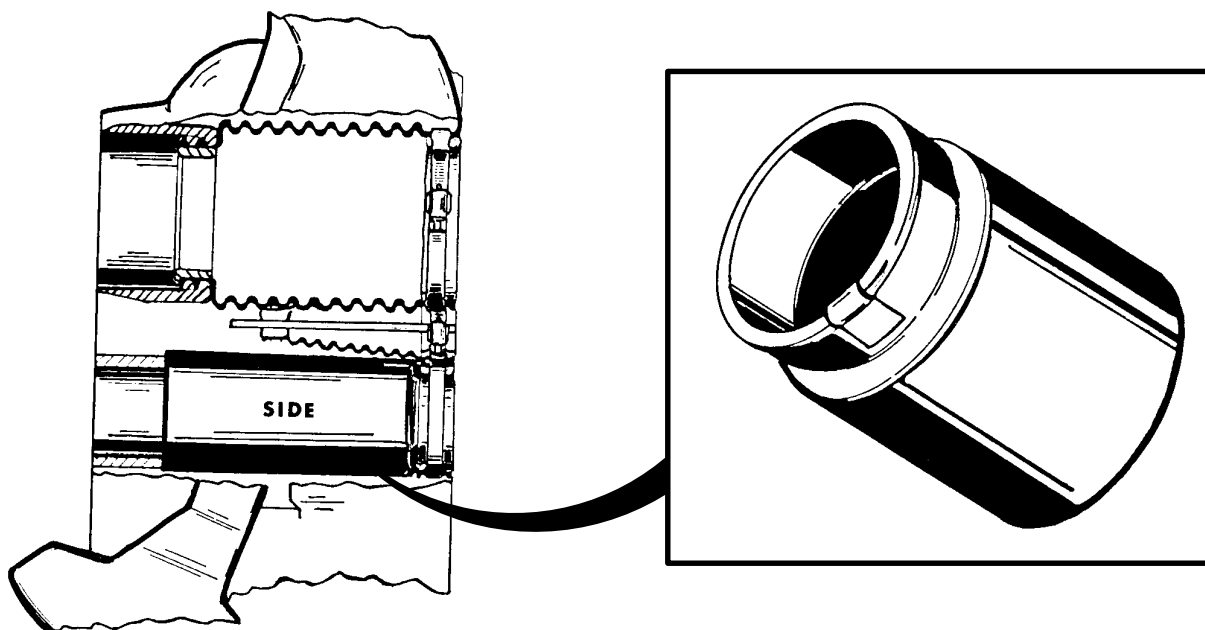
Description

Starting with the 1996-1/2 models, all Bravo engines will be shipped with a universal Bravo transom assembly. The factory will no longer install the trim-in limit blocks and the exhaust tube on Bravo Three transoms. The blocks and tube will be packed in the box with the Bravo Three drive.

Exhaust Tube Usage

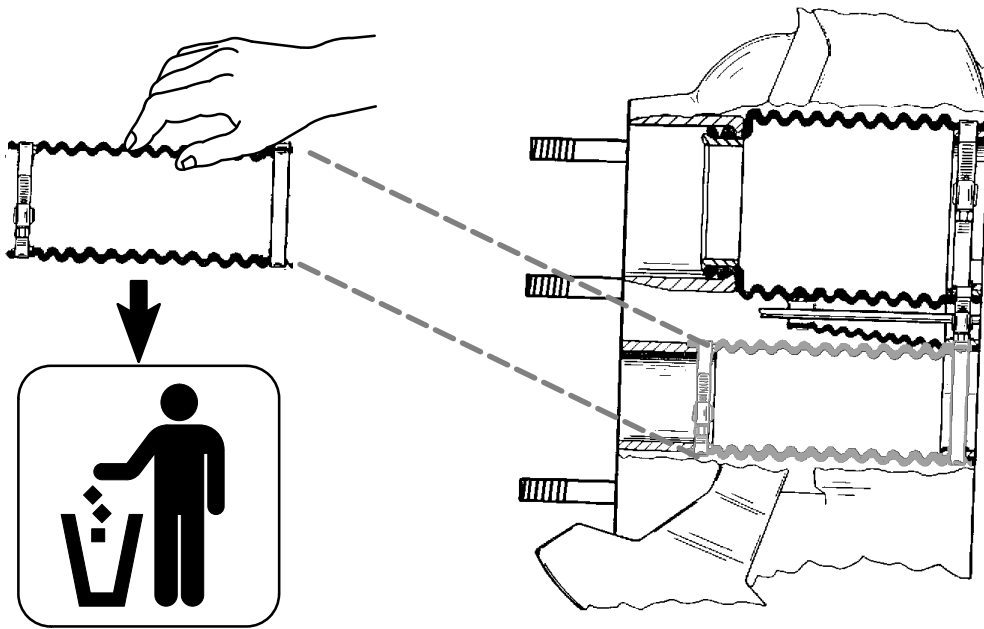
When using a Bravo Three drive with a 4.3LX Gen+ / 4.3LXH Gen+ / 262 Magnum EFI Gen+ / 5.7L / 5.7LX / 5.7L EFI / 5.7LX EFI / 5.7LX EFI Gen+ or 350 Magnum MPI Gen+ / 7.4L engine, the factory installed exhaust bellows can remain on the transom assembly. It is not necessary to install the exhaust tube on applications with these engines.

When using the Bravo Three drive with a 7.4LX EFI / 7.4LX MPI / 454 Magnum / 454 Magnum MPI and 502 Magnum MPI engine, the exhaust bellows must be removed. The exhaust tube must be installed with Silent Choice or through prop exhaust. The exhaust tube is not installed if the boat has only through transom exhaust.



22184A

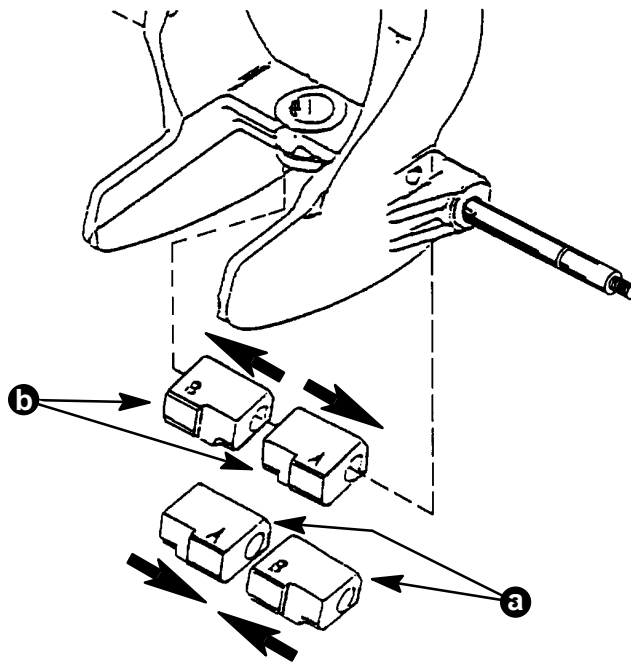
The exhaust bellows must be REMOVED on all applications using only through transom exhaust.



22116A

Trim-In-Limit Blocks Usage

The trim -in-limit blocks are required and must be installed on all Bravo Three transom assemblies, unless the boat has been previously tested and proven that they are not needed as stated in the power package Installation Manual. When installing the Trim-In-Limit blocks, the letters **A** and **B** must be installed facing up, towards the gimbal ring. Normal installation position will be the 3/4 inch (19 mm) dimension with the letters **A** and **B** side-by-side in the center, on the front anchor pin. For the 1 inch (25 mm) position the blocks must be placed on the front anchor pin with the letters **A** and **B** towards the outside.



74516A

- a - Standard Installation - 3/4 Inch (19 mm)
- b - Optional Installation - 1 Inch (25 mm)